

INSTALLATION INSTRUCTIONS FOR

FSK-A FREE STANDING KIT & SINGLE WALL FURNACE (8'8-1/2" MAX. CEILING HEIGHT)

STEP 1

- (1) Attach both lower side panels (40410/40422) to floor plate (40405) with 4 No. 8x3/8 screws.
- (2) Attach header plate (provided with unit – not FSK Kit) to lower side panel brackets with 4 No. 8x3/8 hex head screws.
- (3) Cut wall baseboard to fit tight against side panels, stand enclosure against wall and fasten securely with screws or lag bolts (not provided). Use a level to assure vertical plumb and fasten the floor plate to the floor.

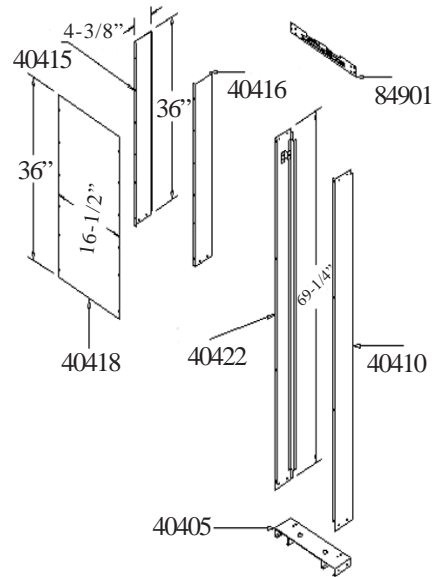


FIG. 1

- (4) Measure distance between ceiling and center of holes near top of lower side panels. Add 1/2" to this dimension to determine how much metal is to be cut from each top side panel (40415/40416) and front panel (40418).

STEP 2

- (1) After locating position of enclosure cut a 3-1/2 inch x 14 inch opening...

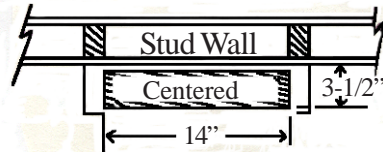


FIG. 2

- (2) Install (1) ceiling plate spacer (P/N 84901) to back wall, center in enclosure. See Fig. 3.

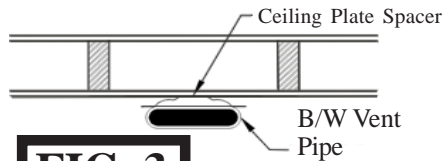


FIG. 3

- (3) Install type B-W Vent through the roof and studs in accordance with local codes. Attach vent with base plate to header plate.
- (4) Install gas inlet through back wall or one of two holes in floor plate (40405). See Figure No. 4.

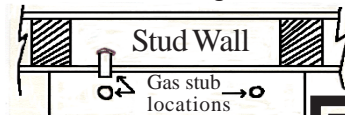


FIG. 4

STEP 3

- (1) Attach leg locating brackets to legs with mounting tabs facing each other. Secure with four (4) 10-24x1/2 bolts w/nut and washer. (See Figure 5A).
- (2) Set furnace body into position, fastening the brackets to the floor plate using 4 No. 10-24x1/2 bolts w/ nuts.
- (3) Attach upper side panels (40415 / 40416) to top of lower side panels with 4 No. 8x3/8 screws. Use a level to assure vertical plumb, then attach upper side panels to wall with 8 No. 8x3/4 screws.

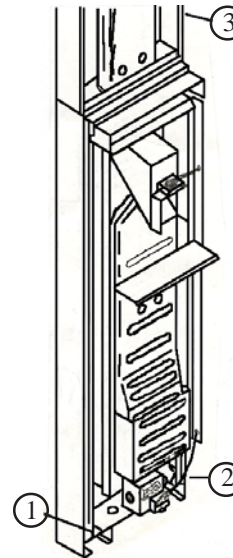


FIG. 5

FIG. 5A

- (4) Attach front panel (40418) using 12 No. 8x3/8 screws.
- (5) Connect gas line to heater in accordance with local codes.

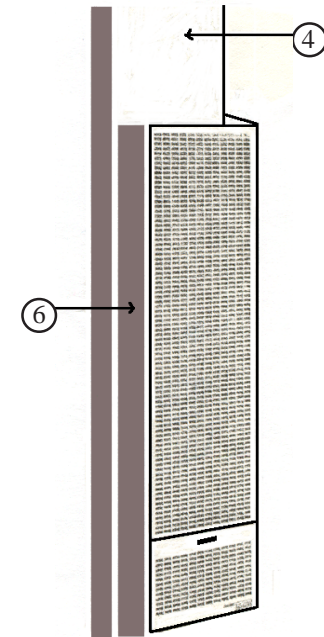


FIG. 6

- (6) Attach unit to header plate plaster ground. Secure to heater using (1) No. 8x1-1/2 screw. Secure at bottom using (2) No. 10x1/2 screws with washers.

COZY HEATING SYSTEMS, LLC
3230 INDUSTRIAL PARKWAY
JEFFERSONVILLE, IN 47130
Phone: (502) 589-5380